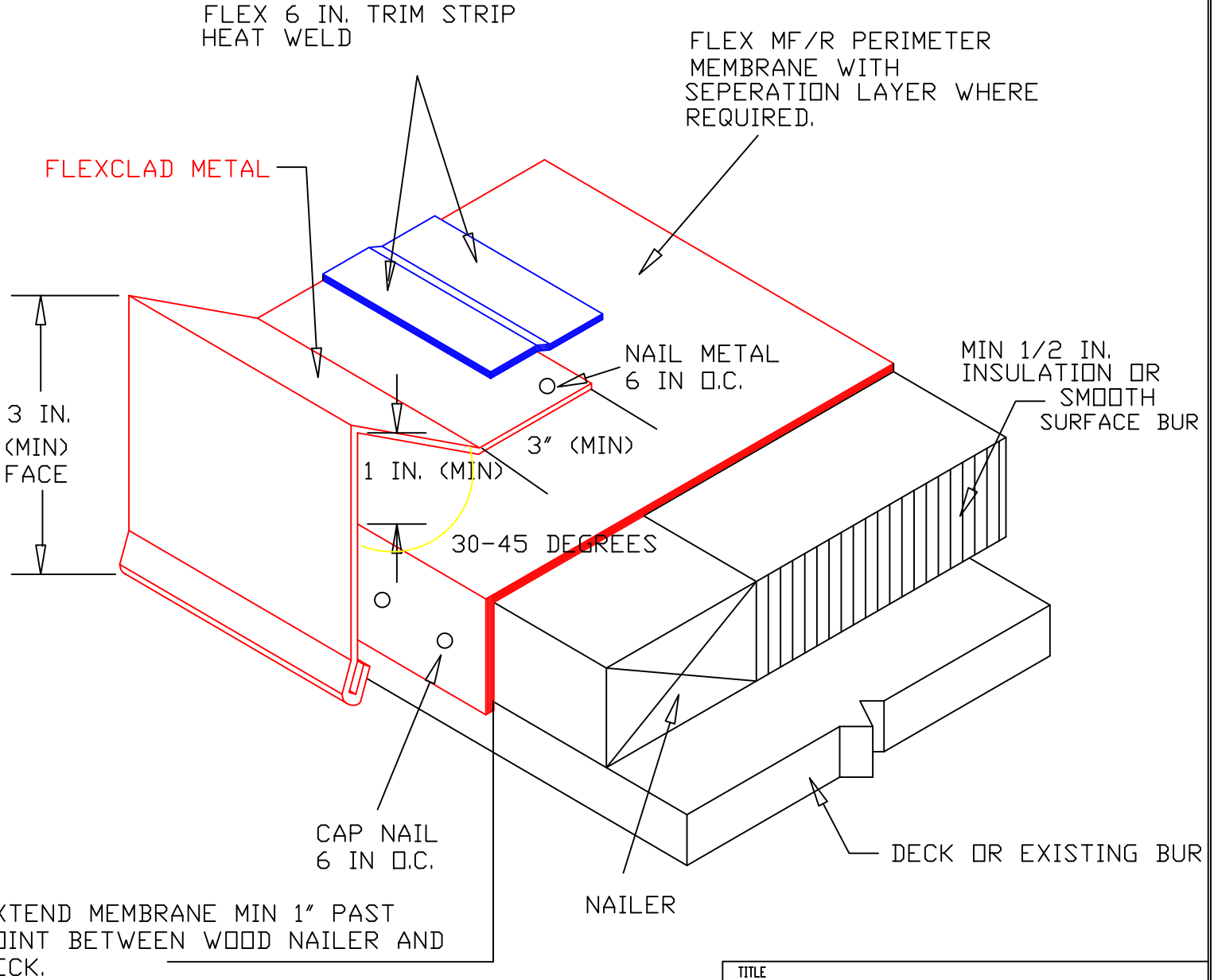


FLEX 6 IN. TRIM STRIP



EXPOSED FACE DIMENSION GREATER THAN 3" REQUIRES
A CONTINUOUS CLEAT SAME GAUGE AS FACE METAL.

- CONTINUOUS CLEAT NOT SHOWN FOR CLARITY.

TITLE	
GRAVEL STOP W/FLEXCLAD METAL	
NAME	
DETAIL NO. 1.10	
DRAWN BY:	DATE:
KF	07/2007
APPLICABLE TO ALL FLEX	
MECHANICALLY FASTENED SYSTEMS	
FLEX MEMBRANE INTERNATIONAL	2670 LEISCZ'S BRDIGE RD. LEESPORT, PA 19533 800-969-0108 www.flexmembranes.com