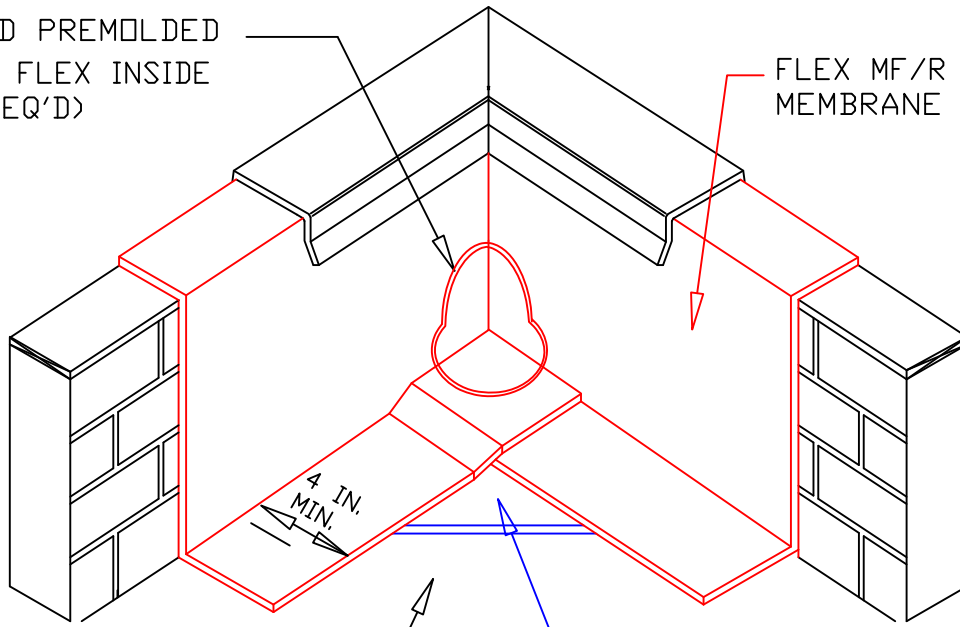


HEAT WELD PREMOLDED  
PREMOLDED FLEX INSIDE  
CORNER (REQ'D)

FLEX MF/R FLASHING  
MEMBRANE

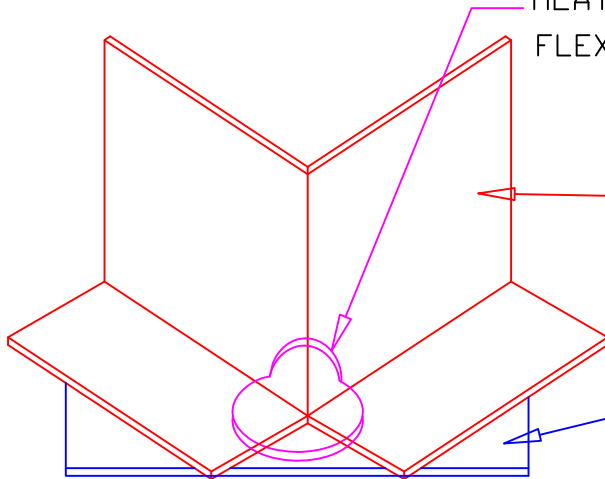


SEPARATION LAYER  
WHERE REQUIRED

FLEX MF/R FIELD MEMBRANE

HEAT WELD PREMOLDED  
FLEX OUTSIDE CORNER (REQ'D)

FLEX MF/R FLASHING MEMBRANE



FLEX MF/R FIELD MEMBRANE

SEPARATION LAYER  
WHERE REQUIRED.

TITLE	INSIDE/OUTSIDE CORNER	
NAME	DETAIL NO. 3.20	
DRAWN BY:	KF	DATE:
		07/2007
APPLICABLE TO ALL FLEX		
MECHANICALLY FASTENED SYSTEMS		
FLEX MEMBRANE INTERNATIONAL	2670 LEISCZ'S BRIDGE RD. LEESPORT, PA 19533 800-969-0108 www.flexmembranes.com	