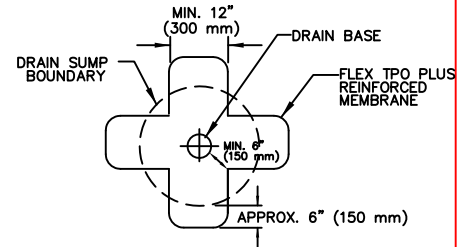
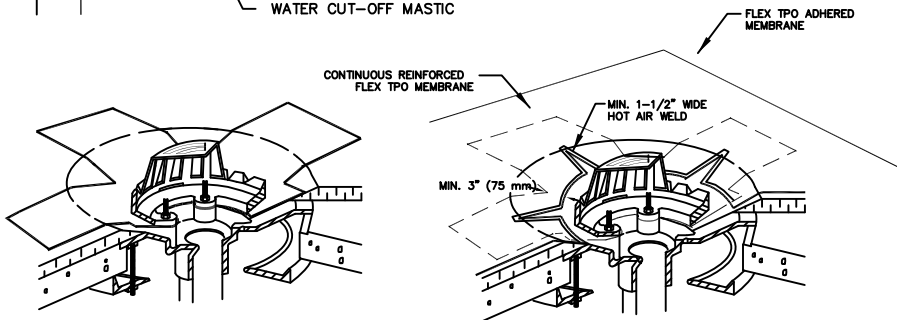


NOTES:

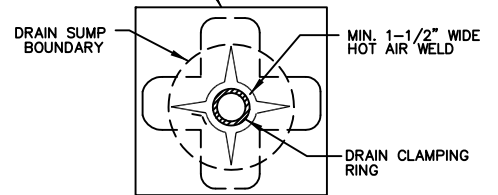
1. REMOVE ALL LEAD AND OTHER FLASHING.
2. ALL DRAIN BOLTS OR CLAMPS MUST BE IN PLACE TO PROVIDE COMPRESSION ON WATER CUT-OFF MASTIC.
3. CUT MEMBRANE SO IT EXTENDS A MINIMUM OF 1/2" (13 mm) FROM ATTACHMENT POINTS OF THE CLAMPING RING.
4. APPROX. 1/8" (3 mm) DIAMETER BEAD OF CUT-EDGE SEALANT IS REQUIRED ON CUT EDGES OF FLEX TPO ADHERED MEMBRANE.



CUT SECTION OF FLEX TPO ADHERED MEMBRANE AS SHOWN AND POSITION INTO DRAIN SUMP. EXTEND MEMBRANE OUT OF DRAIN SUMP APPROX. 6" (ROUND CORNERS).



APPROX. 6' x 6' FLEX TPO ADHERED MEMBRANE CUT TO LAY FLAT IN SUMP AREA



EXTEND 6' x 6' FLEX TPO PLUS REINFORCED MEMBRANE ONTO MEMBRANE SECTION POSITIONED AT DRAIN SUMP AND CUT AS SHOWN TO LAY FLAT IN SUMP. HOT-AIR WELD A MINIMUM OF 1-1/2" (40 mm) COMPLETELY SURROUNDING CUT AREA. HOT-AIR WELD OUTER PERIMETER OF FLEX TPO REINFORCED MEMBRANE TO INSTALLED FLEX TPO ADHERED MEMBRANE.

FOR DRAINS WITH TAPERED INSULATION AT DRAIN SUMP GREATER THAN 3" TO 1 HORIZONTAL FOOT (75 mm/300 mm)

## TPO 4.02

ROOF DRAIN II (SUMP GREATER THAN 3" TO 1 HORIZONTAL FOOT)