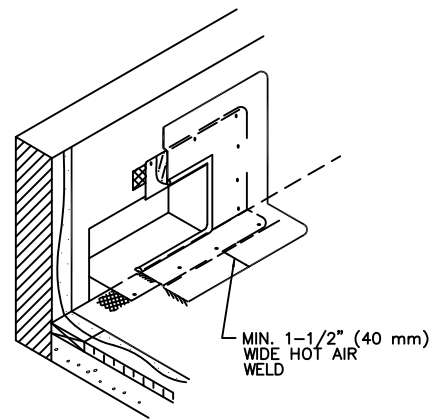


NOTES:

1. WOOD NAILER MUST EXTEND PAST TOTAL WIDTH OF DECK FLANGE.
2. INSTALL WALL FLASHING PRIOR TO SCUPPER INSTALLATION.
3. ALL JOINTS IN FLEX TPO PLUS COATED METAL MUST BE OVERLAID WITH FLEX FLASHING.
4. WATER CUT-OFF MASTIC UNDER SCUPPER FLANGE MUST BE UNDER CONSTANT COMPRESSION.
5. MINIMUM 2" (50 mm) SPLICE FROM NAIL HEAD.
6. FLEX SEALANT IS REQUIRED AT FLASHING EDGE ON SCUPPER EDGE.



TPO 5.05
THROUGH WALL SCUPPER