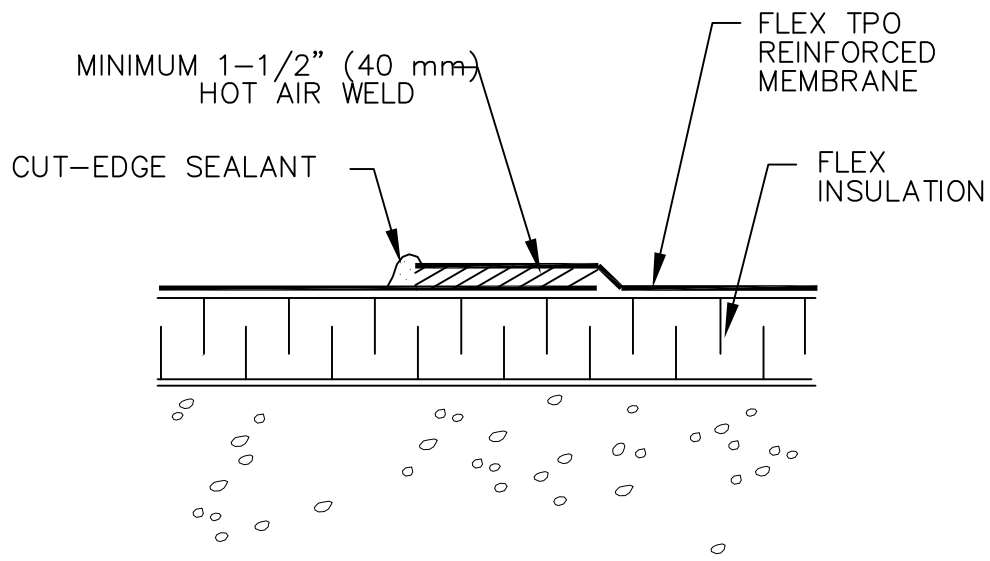


---

FLEX TPO PLUS MECHANICALLY-FASTENED ROOFING SYSTEM

---



NOTE:

APPROXIMATELY 1/8" (3 mm) DIAMETER BEAD OF CUT-EDGE SEALANT IS REQUIRED ON CUT EDGES OF FLEX TPO REINFORCED MEMBRANE.