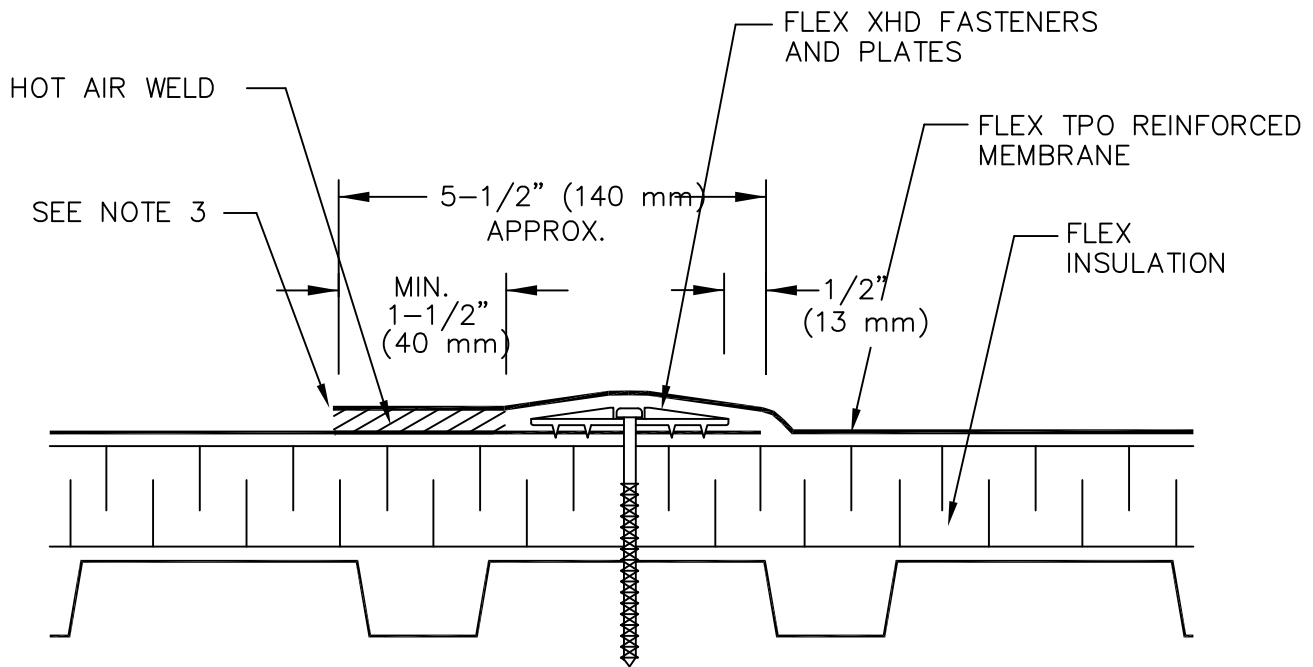


---

FLEX TPO PLUS MECHANICALLY FASTENED ROOFING SYSTEM

---



NOTES:

REFER TO MANUFACTURERS APPROVALS FOR MEMBRANE FASTENING CRITERIA, MEMBRANE FASTENING CRITERIA" FOR PROPER FASTENERS, PLATES AND FASTENING DENSITY. IF A FACTORY MUTUAL RATING IS REQUIRED, REFER TO FLEX FM APPROVAL GUIDE.

1. POSITION SEAM FASTENING PLATES BEYOND NON-REINFORCED ENCAPSULATED EDGE.
2. APPROXIMATELY 1/8" (3 mm) DIAMETER BEAD OF CUT-EDGE SEALANT IS REQUIRED ON CUT EDGES OF FLEX TPO REINFORCED MEMBRANE.