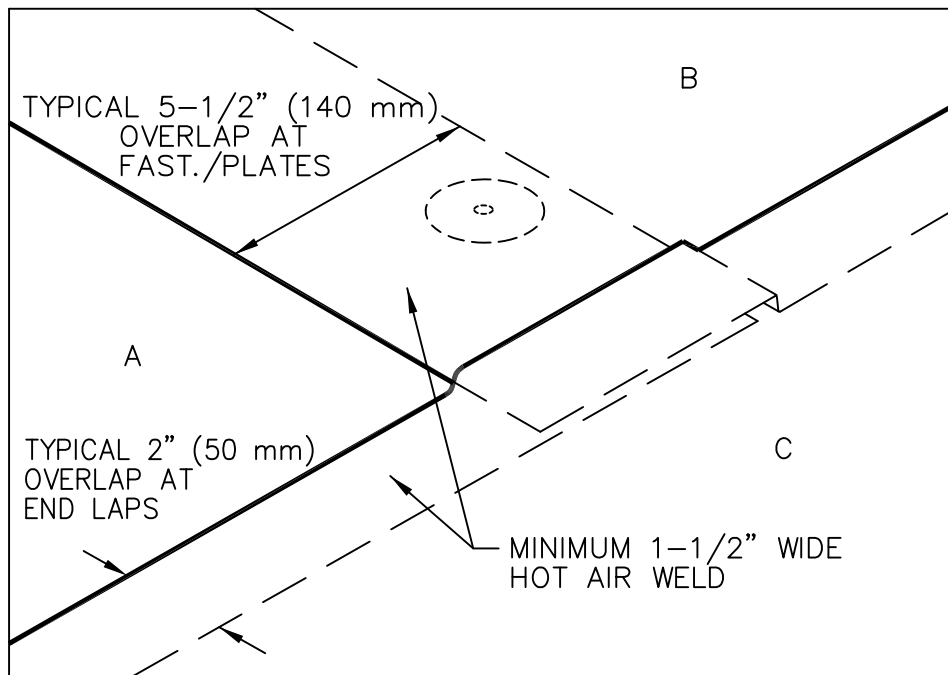
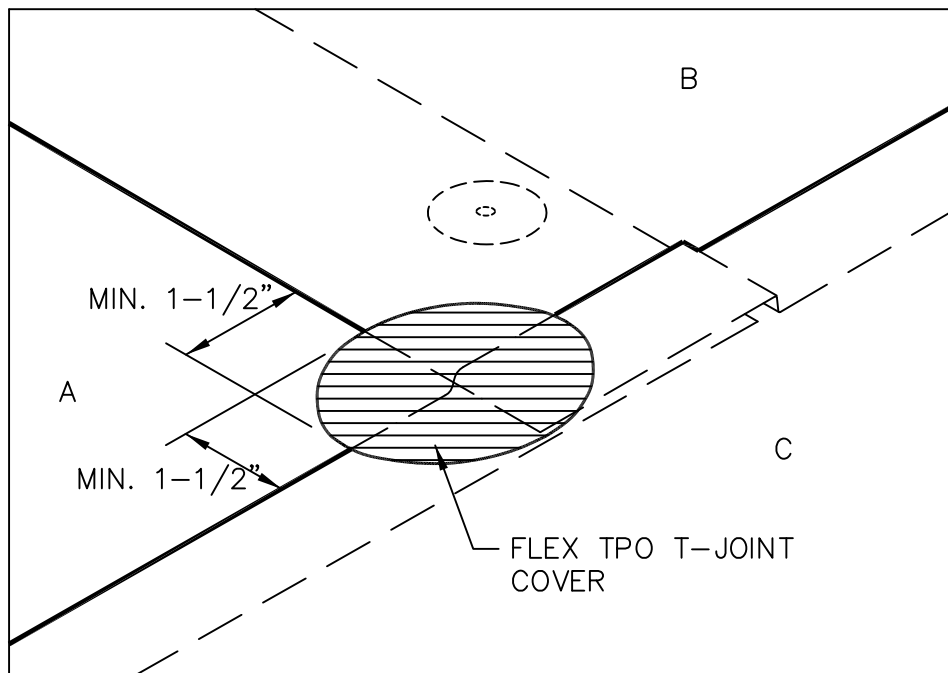


FLEX TPO PLUS MECHANICALLY FASTENED ROOFING SYSTEM



- ① POSITION SHEETS AND HOT AIR WELD THE .060" (1.5 mm) THICK FLEX TPO MEMBRANE A MINIMUM OF 1-1/2" (40 mm).



- ② INSTALL A 4.5" DIAMETER FLEX TPO T-JOINT COVER CENTERED OVER THE SPLICE INTERSECTION ("T-JOINT") AS SHOWN.