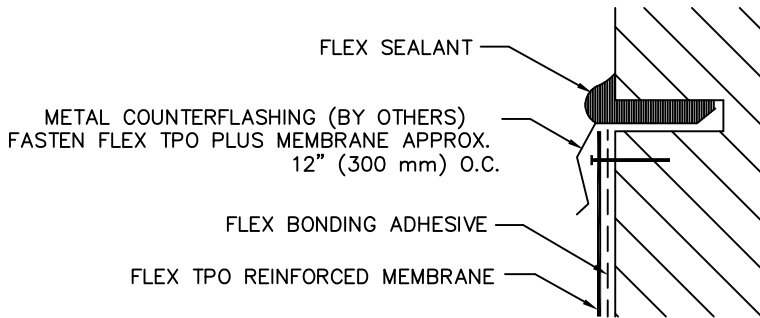


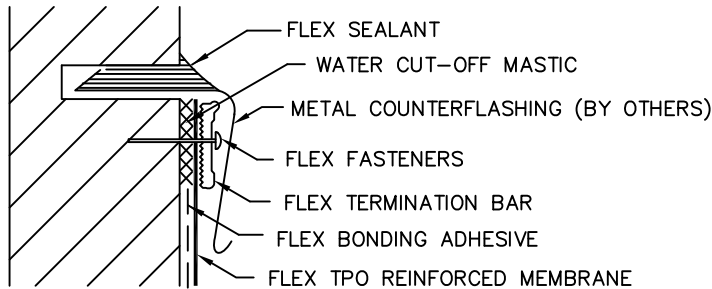
FLEX TPO PLUS MECHANICALLY FASTENED ROOFING SYSTEM



NOTES:

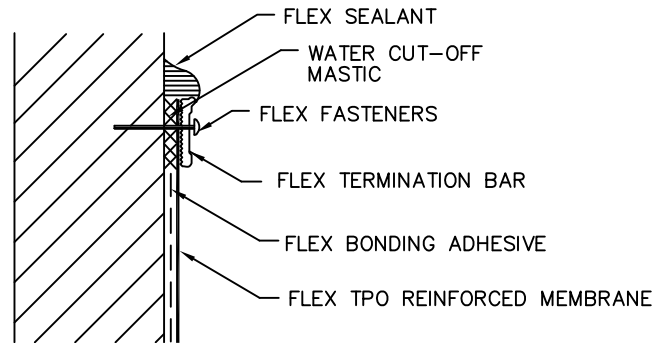
1. COUNTERFLASHING SHALL BE ELEVATED ABOVE PONDED WATER.
2. NOT FOR USE ON 15 YEAR WARRANTY PROJECTS (REFER TO DETAIL TPO 9F).
3. BONDING ADHESIVE IS NOT REQUIRED WHEN FLASHING HEIGHT IS 12" (300 mm) OR LESS.

TPO-9C COUNTERFLASHING TERMINATION



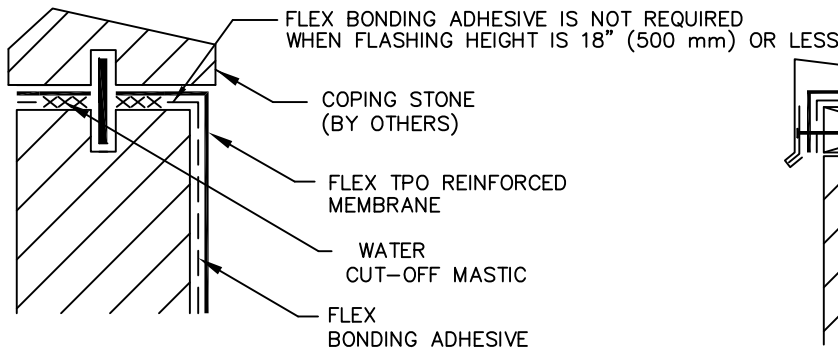
1. APPLY ON HARD SMOOTH SURFACE ONLY; NOT FOR USE ON WOOD.
2. DO NOT WRAP COMPRESSION TERMINATION AROUND CORNERS.
3. FASTENERS OF METAL BAR MUST PROVIDE CONSTANT COMPRESSION ON WATER CUT-OFF MASTIC.

TPO-9F MECHANICAL TERMINATION

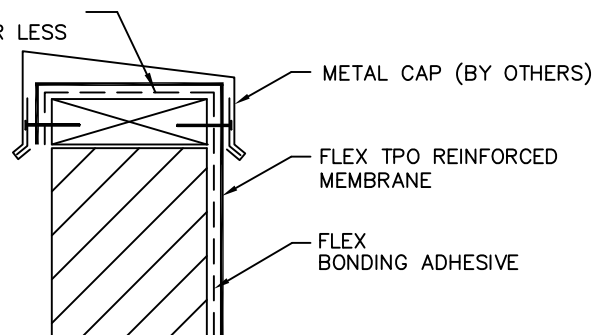


4. ALLOW 1/4" to 1/2" (6 to 13 mm) SPACING BETWEEN CONSECUTIVE LENGTHS OF TERMINATION BAR.
5. BONDING ADHESIVE IS NOT REQUIRED WHEN FLASHING IS 18" (500 mm) OR LESS.

TPO-9D MECHANICAL TERMINATION



TPO-9E COPING STONE TERMINATION



TPO-9B CAP FLASHING TERMINATION