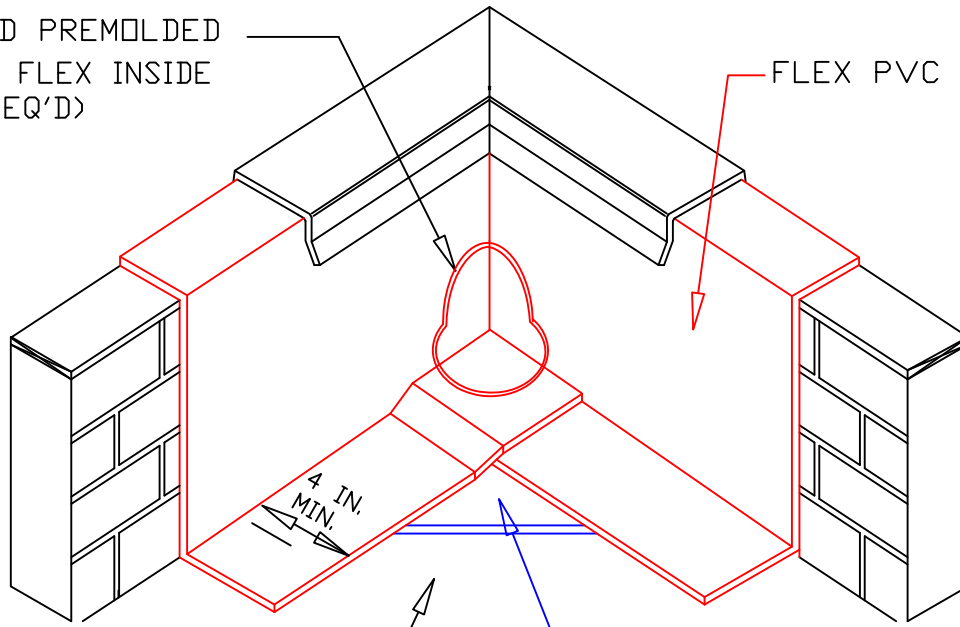


HEAT WELD PREMOLDED
PREMOLDED FLEX INSIDE
CORNER (REQ'D)

FLEX PVC FLASHING MEMBRANE

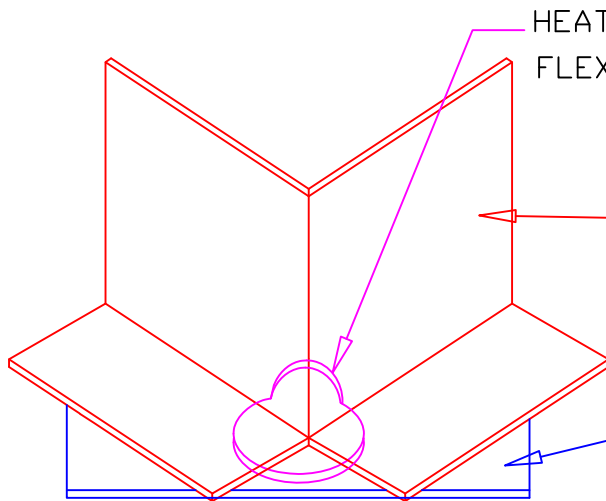


SEPARATION LAYER
WHERE REQUIRED

FLEX PVC FIELD MEMBRANE

HEAT WELD PREMOLDED
FLEX OUTSIDE CORNER (REQ'D)

FLEX PVC FLASHING MEMBRANE



FLEX PVC FIELD MEMBRANE

SEPARATION LAYER
WHERE REQUIRED.

TITLE	INSIDE/OUTSIDE CORNER	
NAME	DETAIL NO. 3.20	
DRAWN BY:	KF	DATE:
		10/2009
APPLICABLE TO ALL FLEX PVC		
MECHANICALLY FASTENED SYSTEMS		
FLEX MEMBRANE INTERNATIONAL	2670 LEISCZ'S BRIDGE RD. LEESPORT, PA 19533 800-969-0108 FlexRoofingSystems.com	