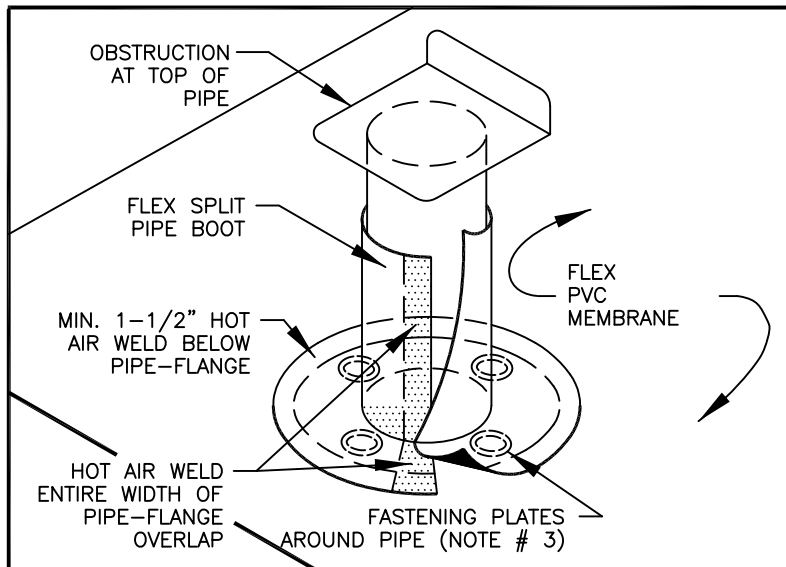


NOTES:

- 1) REMOVE ALL LEAD AND OTHER FLASHING.
- 2) TEMPERATURE OF PIPE MUST NOT EXCEED 120F (49C.)
- 3) INSTALL 4 FASTENERS AND PLATES AROUND PIPE EQUALLY SPACED. FASTENERS MAY ALSO BE POSITIONED MAXIMUM 12" FROM PIPE. FASTENED 12" ON CENTER AND FLASHED WITH FLEX REINFORCED MEMBRANE. FLEX FASTENERS/PLATES ARE REQUIRED
- 4) IF PLATES CANNOT BE INSTALLED AS SHOWN, THEY CAN BE POSITIONED OUTSIDE THE PIPE FLASHING FLANGE.
- 5) PIPE FLASHING DECK FLANGE MUST BE HOT AIR WELDED A MINIMUM OF 1-1/2" BEYOND FASTENING PLATES.



TITLE		SPLIT PIPE BOOT	
NAME		DETAIL NO. 4.70	
DRAWN BY:	KF	DATE:	10/2009
APPLICABLE TO ALL FLEX PVC			
MECHANICALLY FASTENED SYSTEMS			
FLEX MEMBRANE INTERNATIONAL		2670 LEISCZ'S BRIDGE RD. LEESPORT, PA 19533 800-969-0108 FlexRoofingSystems.com	