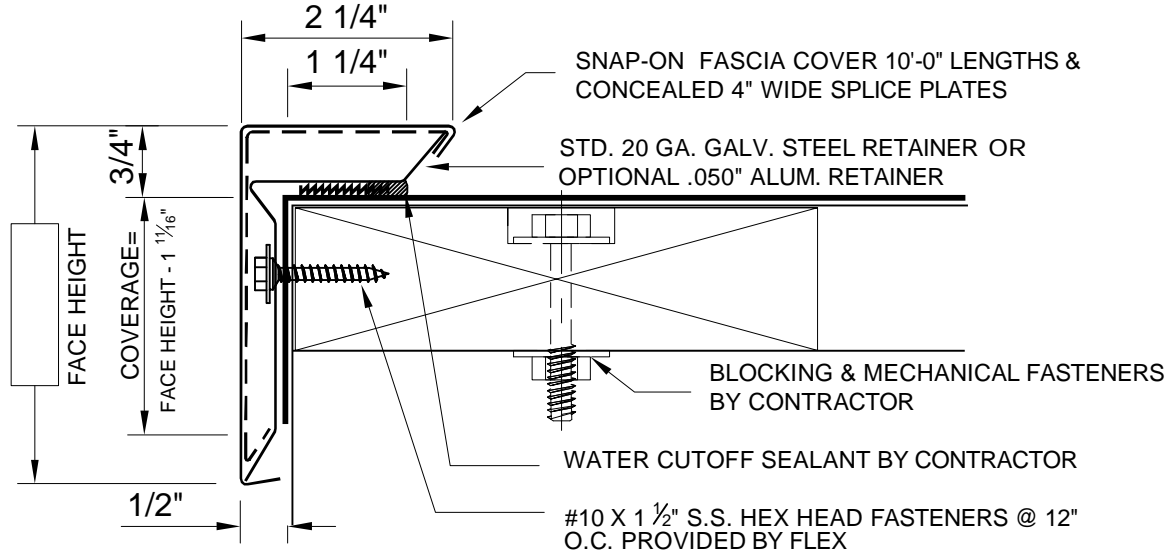




**Thermoplastic Single Ply Roofing Systems**  
 Flex Membrane International, Inc.  
 2670 Leisz's Bridge Rd., Suite 400, Leesport, PA 19533  
 Telephone: 610-916-9500 Fax: 610-916-9501

**FlexLock Fascia FLT**  
**Order /Specification Form**  
 (For Single-Ply Membrane)

Factory Mutual Approved  
 ANSI/SPRI ES-1 Tested

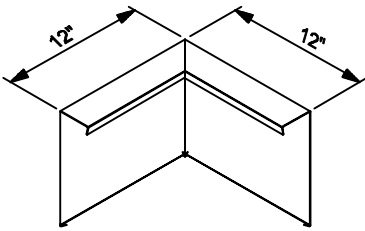
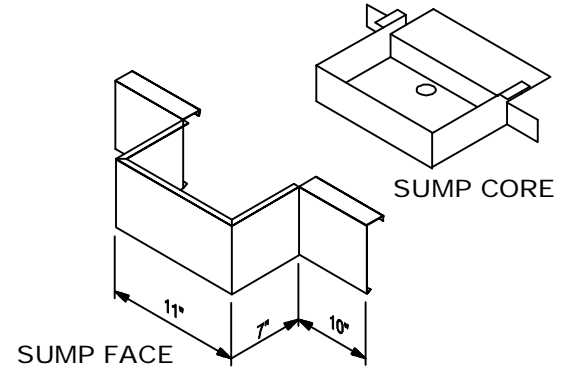


NOTE: SECOND ROW OF FASTENER HOLES PROVIDED FOR 6" FACE SIZE AND LARGER.

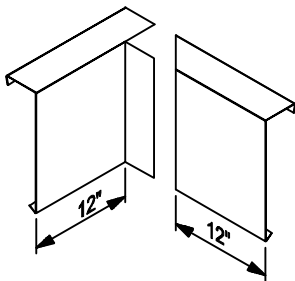
|  |                    |  |   |  |
|--|--------------------|--|---|--|
| DETAIL:  | ARCHITECTURAL REF: | DESCRIPTION:   |   |  |
| QUANTITY, THIS DETAIL<br>_____ TOTAL LF<br>_____ OUTSIDE CORNERS<br>_____ INSIDE CORNERS<br>_____ SPECIAL CORNERS (attach sketches)<br>_____ END CAP - L<br>_____ END CAP - R<br>_____ *RADIUS LF<br>_____ RADIUS CORNERS (attach sketches)<br>* POST PAINTED RADIUS PIECES MUST BE WELDED AND ARE THEREFORE 58" LONG. PREFINISHED RADIUS WILL BE NOTCHED AND BE SUPPLIED IN 10'-0" LENGTHS. |                    | <b>MATERIAL</b><br><input type="checkbox"/> ALUMINUM<br><input type="checkbox"/> GALVANIZED<br><input type="checkbox"/> STAINLESS STEEL<br><input type="checkbox"/> _____<br><br><b>THICKNESS</b><br><input type="checkbox"/> .040<br><input type="checkbox"/> .050<br><input type="checkbox"/> .063<br><input type="checkbox"/> 24 GA<br><input type="checkbox"/> _____ | <b>ACCESSORY TYPE</b><br><input type="checkbox"/> FOLDED<br>* WELDED CORNERS ARE NOT AVAILABLE FOR TERMINEDGE<br><br><b>RETAINER OPTIONS</b><br><input type="checkbox"/> 20 GA GALV. (STD.)<br><input type="checkbox"/> .050 ALUMINUM | <b>FINISH</b><br><input type="checkbox"/> MILL FINISH<br><input type="checkbox"/> PREFINISHED KYNAR<br><input type="checkbox"/> POST FINISHED KYNAR<br><input type="checkbox"/> PREFINISHED ANODIZE<br><input type="checkbox"/> POST FINISHED ANODIZE<br><input type="checkbox"/> _____<br><br>.063 PREFINISHED KYNAR IS ONLY AVAILABLE IN 7 STD. COLORS.<br><br>COLOR _____ |
| <b>Transmittal</b><br><input type="checkbox"/> REQUEST FOR QUOTATION<br><input type="checkbox"/> SUBMIT FOR APPROVAL<br><input type="checkbox"/> REQUEST FOR INFORMATION<br><input type="checkbox"/> CONFIRMING TELECONFERENCE<br><input type="checkbox"/> FOR YOUR FILES<br>By _____ Date _____   |                    | <b>Customer Approval</b><br><input type="checkbox"/> APPROVED FOR FABRICATION<br><input type="checkbox"/> APPROVED AS NOTED<br><input type="checkbox"/> AMEND & RESUBMIT<br>_____<br>Authorized Customer Signature<br>_____<br>Title _____ Date _____  |   |  |
| Job Name   |                    | Job #  |   |  |
| Location   |                    | Sheet of   |   |  |
| Customer   |                    | By   |   |  |
| Representative   |                    | Date   |   |  |
| Architect  |                    |  |   |  |

# FlexLock Fascia FLT

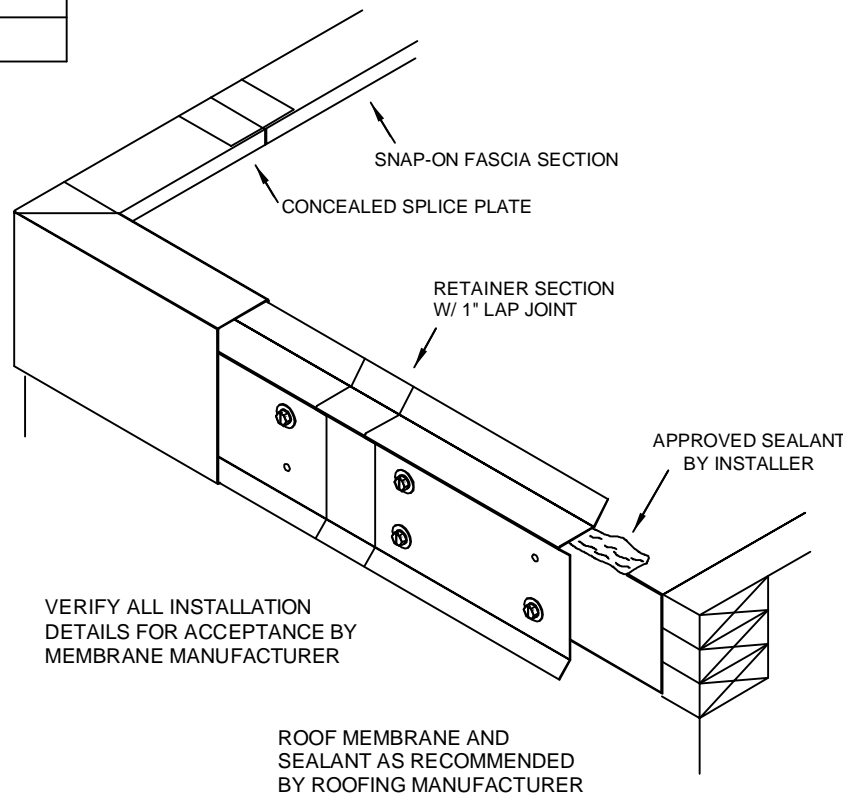
| Fascia Model | Face Height<br>in. | Coverage<br>in. | Retainer Gauge<br>B&S |
|--------------|--------------------|-----------------|-----------------------|
| TE375        | 3 3/4              | 2 1/16          | 20                    |
| TE525        | 5 1/4              | 3 9/16          | 20                    |
| TE675        | 6 3/4              | 5 1/16          | 20                    |
| MIN.         | 3 3/4              | 2 1/16          | 20                    |
| MAX.         | 13                 | 11 5/16         | 20                    |



STD. OUTSIDE CORNER



STD. INSIDE CORNER



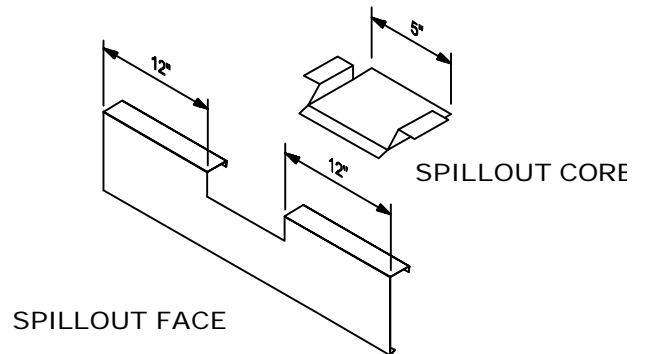
VERIFY ALL INSTALLATION  
DETAILS FOR ACCEPTANCE BY  
MEMBRANE MANUFACTURER

ROOF MEMBRANE AND  
SEALANT AS RECOMMENDED  
BY ROOFING MANUFACTURER

STANDARD FASCIA CORNERS ARE 90° - 12" X 12".  
STANDARD END CAPS ARE 24" LONG.

FOR SPECIAL CORNER REQUIREMENTS,  
ATTACH SKETCHES OR CONSULT MFR. FOR  
ASSISTANCE.

MINIMUM AND MAXIMUM SIZES ARE INDICATED.  
INTERMEDIATE SIZES MAY BE SPECIFIED  
WITHIN THESE RANGES. CONSULT MFR. FOR  
REQUIREMENTS NOT WITHIN THESE RANGES.  
WHEN FACE SIZE EXCEEDS 6", ADDITIONAL  
FASTENERS ARE REQUIRED ON FACE OF  
RETAINER.



# Flex

Flex Membrane International  
FLEXLOCK ROOF EDGE TYPE FLT  
FOR SINGLE PLY MEMBRANE