



Flexlock FLE-HG Roof Edge

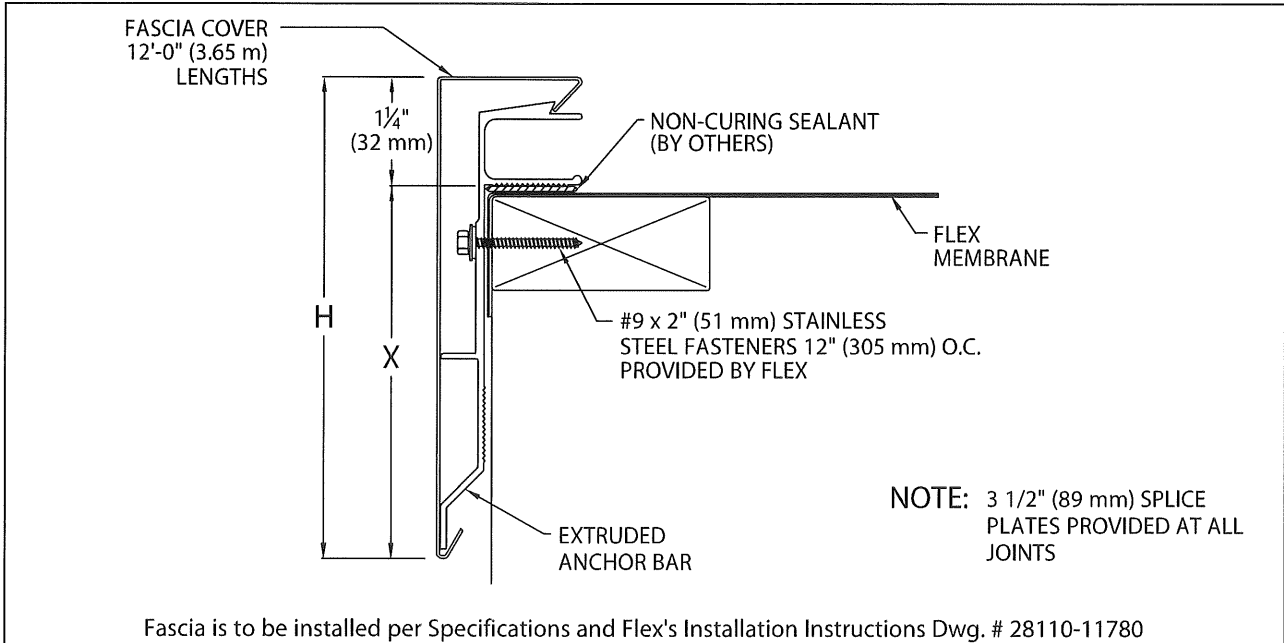
Fully Adhered, Mechanically Attached Single-Ply Version

Warranty:	The entire roof system is covered under one warranty and inspected after the project is complete to assure proper installation. The system is inspected after the project is complete to assure proper installation. This ensures protection for the most vulnerable area of the roof against failure due to extreme wind up lift pressures.
Testing:	Tested per ANSI/SPRI ES-1 Standard to comply with the International Building Code.
Standard Sizes:	Sizes range from 4" up to 7" face heights to accommodate multiple nailers and coverage requirements. <ul style="list-style-type: none">• 4"• 5 ½"• 7"
Anchor Bar Protection:	The patented, extruded aluminum anchor bar securely terminates the membrane. This provides protection unlike any other manufactured or shop-fabricated edge. The anchor bar is readily available to dry-in the roof structure.
Available Materials:	Covers can be manufactured in .050" and .063" aluminum.
Splice Plates:	Interlocking, concealed splice plate design prevents splice plate migration under the fascia panels. This creates a more aesthetically pleasing design compared to traditional cover plates or lap joints at the seams.
Watertight:	Its non-penetrating design eliminates the need for stripping-in or heat welding that is typical of many other roof edge designs. Watertight integrity is not compromised by improper flashing procedures, failed adhesives or lap sealants.
Competitively Priced:	The installed cost rivals even light gauge roof edge systems fabricated locally or in a roofer's shop.
Efficient Design:	The product is provided in 12'-0" lengths with pre-punched holes for quicker installation and lower labor costs. The fastening holes are slotted to allow for proper thermal movement of the materials and ensure correct fastener placement and spacing.
Colors:	Choose among a wide range of standard colors and finishes that meet your job requirements. A 20 year Kynar 500® finish warranty is included on standard colors. Custom post-coated Kynar 500® colors are available with an included 10 year Kynar 500 finish warranty or a 20 year Kynar 500 finish warranty is available upon request. Anodized finishes are also available, but are not warranted.
Custom Capabilities:	Radius and specially fabricated products are available to meet the unique needs of each project.
Accessories:	Factory fabricated miters, scuppers and drainage accessories provide a cleaner, more aesthetically pleasing appearance. This eliminates the need for field fabrication, providing time and labor savings.
Also Included:	All anchor bar EPDM splice plates and fasteners are included and will arrive to the job site with the product (sealant by others).
Reusable/Recyclable Material:	When reroofing the anchor bar can be removed, cleaned and reinstalled at any time without compromising its strength and appearance.

FLEXLOCK FLE-HG ROOF EDGE

FULLY ADHERED OR MECHANICALLY ATTACHED SINGLE-PLY VERSION

ANSI/SPRI ES-1 TESTED



FLEXLOCK FLE-HG ROOF EDGE DIMENSIONS

PRODUCT ID. NO.	H DIM	X DIM	NAILER COVERAGE
<input type="checkbox"/> HG-AF-40	4" (102 mm)	2 3/4" (70 mm)	1 NAILER
<input type="checkbox"/> HG-AF-55	5 1/2" (140 mm)	4 1/4" (108 mm)	2 NAILERS
<input type="checkbox"/> HG-AF-70	7" (178 mm)	5 3/4" (146 mm)	3 NAILERS

MATERIAL:

.050" (1.27 mm) Aluminum
 .063" (1.60 mm) Aluminum
 OTHER _____

Color: _____

Finish: _____

Fabrication will proceed only after receipt of signed print approval.

Print Approval:

Architect and/or contractor shall verify all dimensions, sizes and quantities. All products to be installed in strict accordance with Flex's printed instructions.

Approved by: _____

Date: _____

QUANTITIES:

_____ Lineal Feet 12'-0" (3.65 m) Lengths
 _____ Outside Miters @ (____)°
 _____ Inside Miters @ (____)°
 _____ Overflow Scupper Style ___A___B
 _____ Spillout Scupper Style ___A___B
 _____ Downspout Scupper Style ___A___B
 (____X____) Size A: Tapered 1 1/2" (38 mm) Drop
 B: Flat

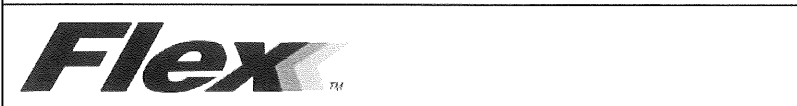
PROJECT: _____

ARCHITECT: _____

ROOFING CONTRACTOR: _____

REPRESENTATIVE/DISTRIBUTOR: _____

Customer Service:
 Phone: 800-969-0108
 Fax: 610-916-9501



DATE: 12/10/10 SHT.# ____ OF ____

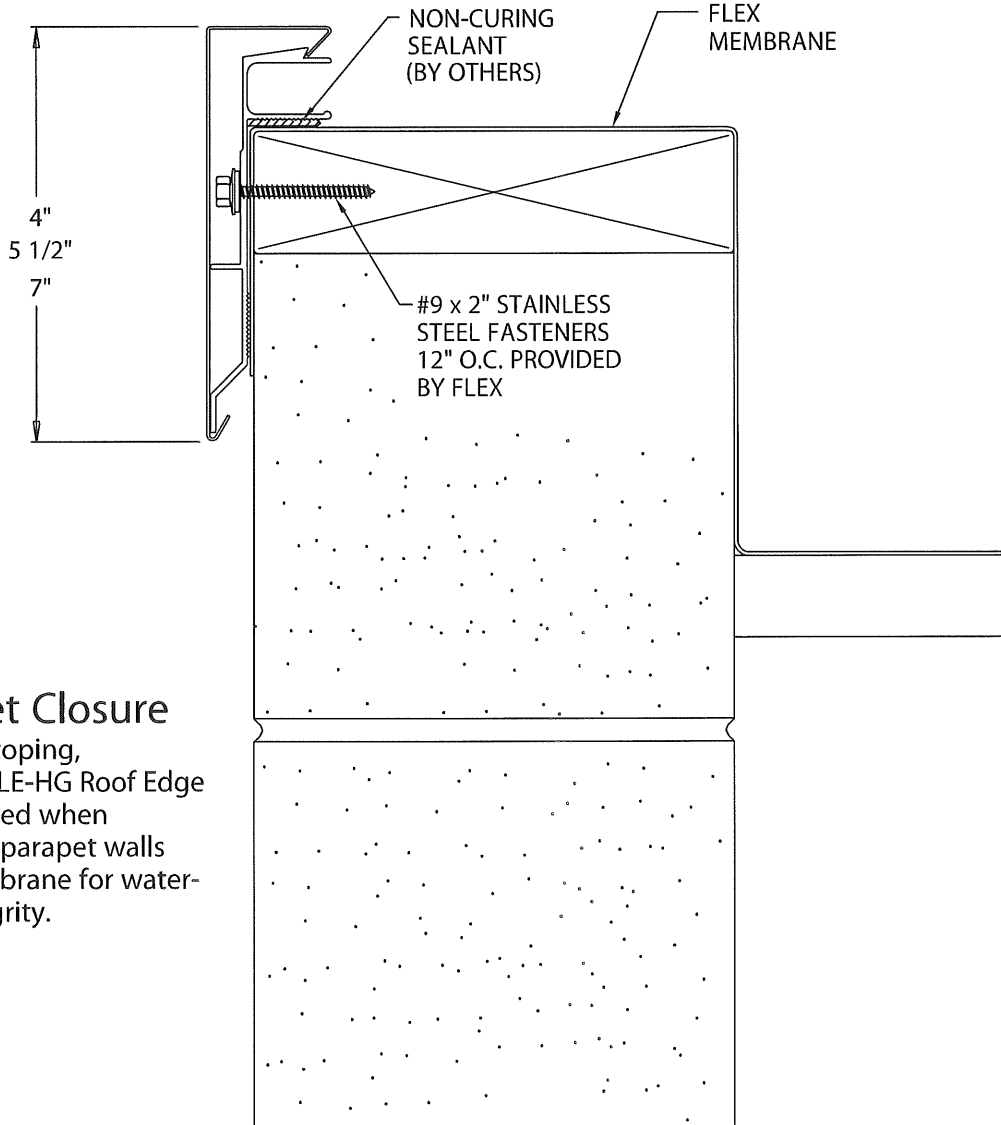
DRN BY: JJC

CKD BY: SAK DWG# 28010-11779 **B**

FLEXLOCK FLE-HG ROOF EDGE

FULLY ADHERED OR MECHANICALLY ATTACHED SINGLE-PLY VERSION

ALTERNATE PARAPET DETAIL



Parapet Closure

In lieu of coping, Flexlock FLE-HG Roof Edge may be used when wrapping parapet walls with membrane for water-tight integrity.



Customer Service
Phone: 800-969-0108
Fax: 610-916-9501

DATE: 12/10/10

DRN BY: JJC

CKD BY: SAK

SHT.# ___ OF ___

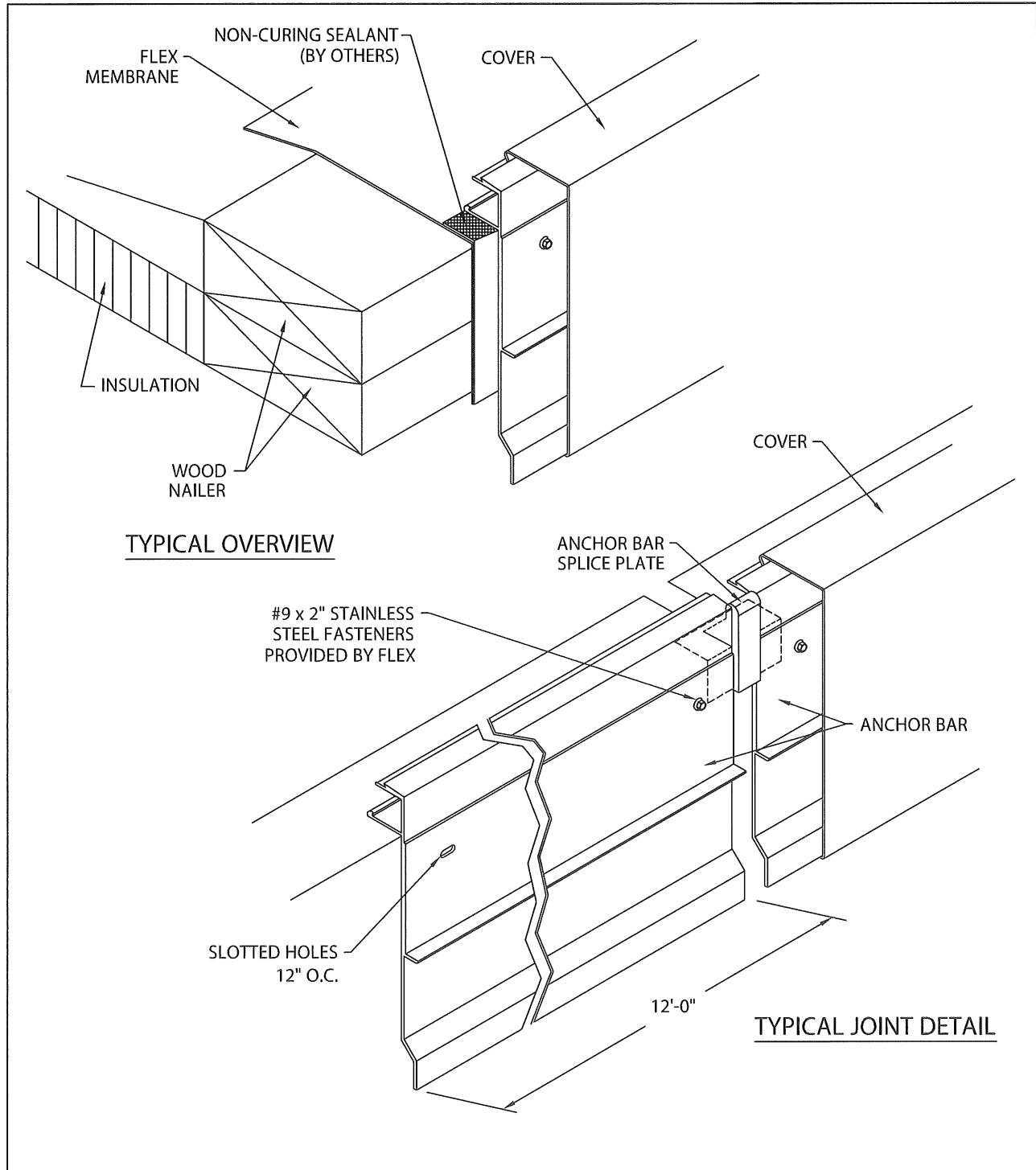
DWG# 28510-11781

B

FLEXLOCK FLE-HG ROOF EDGE

FULLY ADHERED OR MECHANICALLY ATTCHED SINGLE-PLY VERSION

DETAILS



Customer Service
 Phone: 800-969-0108
 Fax: 610-916-9501

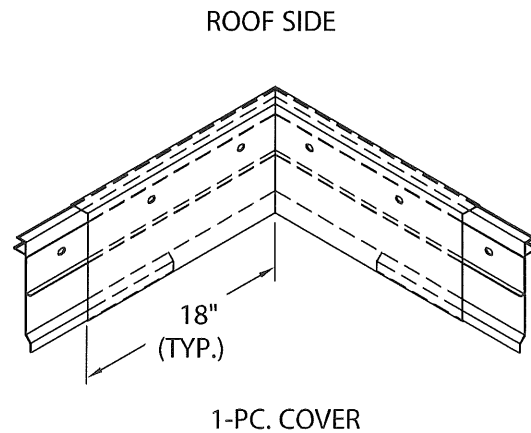
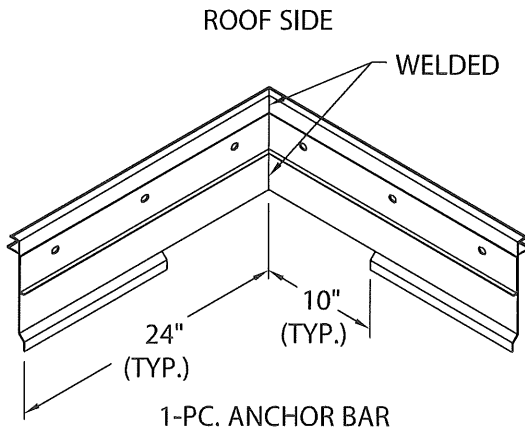
DATE: 12/10/10	SHT.# ___ OF ___
DRN BY: JJC	DWG# 28510-11783
CKD BY: SAK	

FLEXLOCK FLE-HG ROOF EDGE

FULLY ADHERED OR MECHANICALLY ATTACHED SINGLE-PLY VERSION

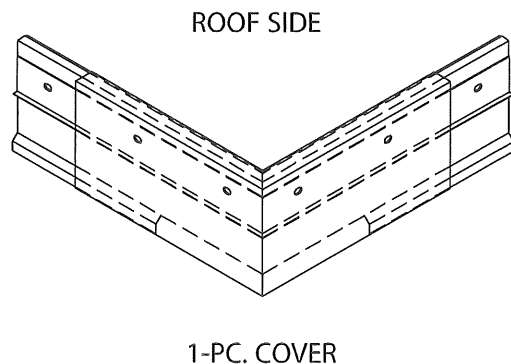
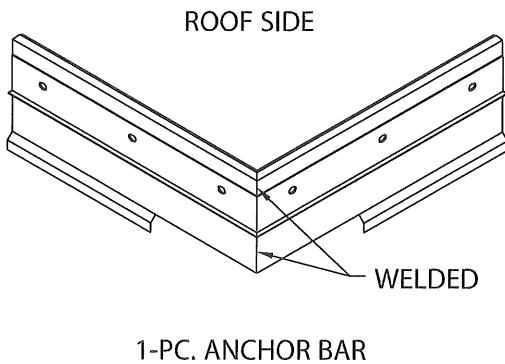
MITERS - FACTORY WELDED CONSTRUCTION

INSIDE MITER



FASTENERS INCLUDED

OUTSIDE MITER



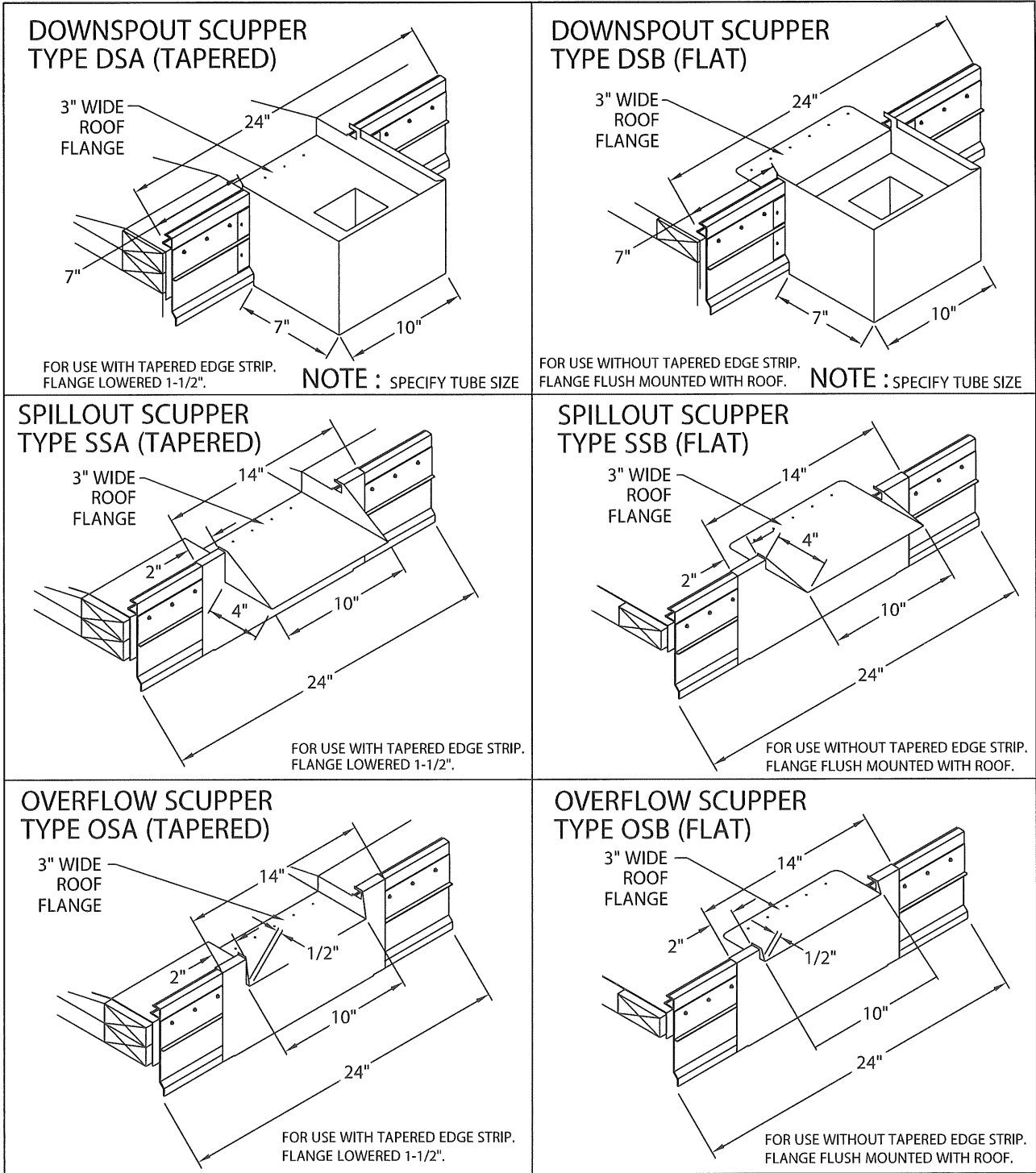
NOTE: WOOD NAILERS REQUIRED.

PROJECT:	Customer Service: Phone: 800-969-0108 Fax: 610-916-9501	
ARCHITECT:		
ROOFING CONTRACTOR:		
REPRESENTATIVE/DISTRIBUTOR:		
Flex ™	DATE: 12/10/10	SHT.# ___ OF ___
	DRN BY: JJC	DWG# 28510-11782
	CKD BY: SAK	

FLEXLOCK FLE-HG ROOF EDGE

FULLY ADHERED OR MECHANICALLY ATTACHED SINGLE-PLY VERSION

SCUPPERS - FACTORY WELDED CONSTRUCTION



NOTE : SPECIFY TUBE SIZE

NOTE : SPECIFY TUBE SIZE



Customer Service
Phone: 800-969-0108
Fax: 610-916-9501

DATE: 12/13/10

SHT.# ___ OF ___

DRN BY: JJC

CKD BY: SAK

DWG# 28510-11784

B

FLEXLOCK FLE-HG RADIUS ROOF EDGE

FULLY ADHERED OR MECHANICALLY ATTACHED SINGLE-PLY VERSION

IMPORTANT!!! MUST INDICATE PROPER RADIUS CONDITION BY CIRCLING APPROPRIATE OUTSIDE FACE

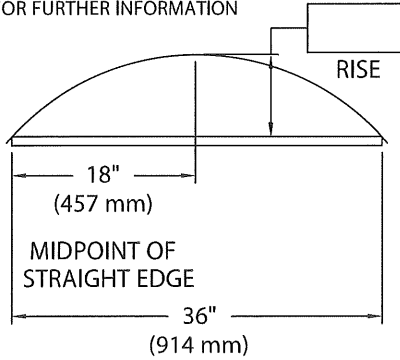
PROVIDING A RADIUS
THE RADIUS MAY BE PROVIDED
IN ONE OF TWO METHODS:

1. THE ACTUAL KNOWN RADIUS IS

OR

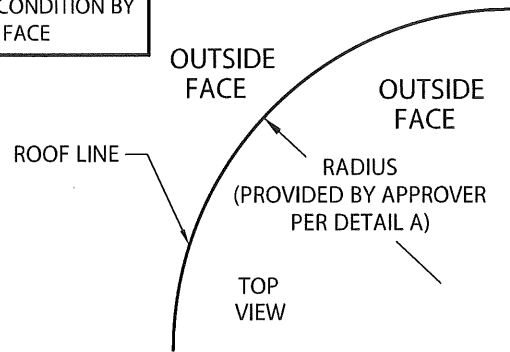
2. FIELD CONDITION MEASUREMENTS

NOTE: REFER TO ATTACHED WORKSHEET
FOR FURTHER INFORMATION

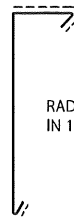


NOTE: CHECK MEASUREMENTS ALONG ENTIRE RADIUS.

DETAIL A



----- INDICATES AREAS THAT WILL BE SLIT AS NEEDED TO ACCOMODATE RADIUS



RADIUS FASCIA PROVIDED
IN 12'-0" (3.65 m) LENGTHS



RADIUS EXTRUDED BAR PROVIDED
IN 12'-0" (3.65 m) LENGTHS

FLEXLOCK FLE-HG RADIUS ROOF EDGE DIMENSIONS

PRODUCT ID. NO.	H DIM.	X DIM.	COVERAGE
<input type="checkbox"/> HG-AF-40	4" (102 mm)	2 3/4" (60 mm)	1 NAILER
<input type="checkbox"/> HG-AF-55	5 1/2" (140 mm)	4 1/4" (108 mm)	2 NAILERS
<input type="checkbox"/> HG-AF-70	7" (178 mm)	5 3/4" (146 mm)	3 NAILERS

Fabrication will proceed only after receipt of signed print approval.

Print Approval:

Architect and/or contractor shall verify all dimensions, sizes and quantities. All products to be installed in strict accordance with Flex's printed instructions.

Approved by: _____

Date: _____

MATERIAL:

___ .050" (1.27 mm) Aluminum
___ .063" (1.60 mm) Aluminum
___ OTHER _____

Color: _____

Finish: _____

QUANTITIES:

_____ Lineal Feet 12'-0" (3.65 m) Lengths

PROJECT: _____

ARCHITECT: _____

ROOFING CONTRACTOR: _____

REPRESENTATIVE/DISTRIBUTOR: _____

Customer Service:

Phone: 800-558-2162

Fax: 800-373-9156

DATE: 12/13/10

SHT.# ___ OF ___

DRN BY: JJC

CKD BY: SAK

DWG# 28010-11785

B

